

# Morris Vacuum Products

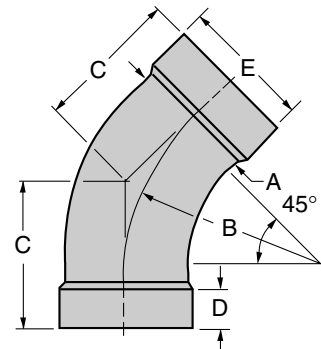
## Short Radius 45° Elbows

Part No.	Size	A-o.d.	Gauge	B	C	D*	E-i.d.
MSH-3045	3"	3"	16	4 1/2"	3 7/8"	1 1/4"	3"
MSH-4045	4"	4"	16	6"	4 1/2"	1 1/4"	4"
MSH-5045	5"	5"	14	7 1/2"	5 3/4"	1 1/2"	5"
MSH-6045	6"	6"	14	9"	7"	1 1/2"	6"
MSH-8045	8"	8"	14	12"	10 1/16"	—	—

**WHEN ORDERING, SPECIFY TYPE OF MATERIAL:**  
Carbon Steel, Zinc Galv. Coated Steel, Stainless Steel, Aluminum

**Bell or Straight Ends** – 3" through 6". **Straight ends only** – 8".

D\* = expanded length



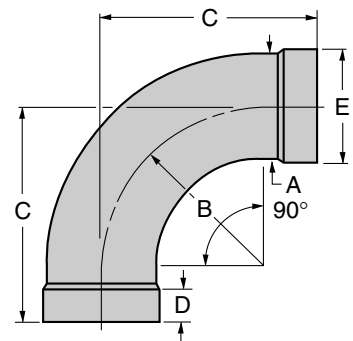
## Short Radius 90° Elbows

Part No.	Size	A-o.d.	Gauge	B	C	D*	E-i.d.
MSH-3090	3"	3"	16	4 1/2"	6 1/2"	1 1/4"	3"
MSH-4090	4"	4"	16	6"	8"	1 1/4"	4"
MSH-5090	5"	5"	14	7 1/2"	10 1/8"	1 1/2"	5"
MSH-6090	6"	6"	14	9"	12 1/4"	1 1/2"	6"
MSH-8090	8"	8"	14	12"	18 1/4"	—	—

**WHEN ORDERING, SPECIFY TYPE OF MATERIAL:**  
Carbon Steel, Zinc Galv. Coated Steel, Stainless Steel, Aluminum

**Bell or Straight Ends** – 3" through 6". **Straight ends only** – 8".

D\* = expanded length



*For Prices and Delivery*

Call Toll Free: 1-800-426-1579

Toll-Free Fax: 1-800-545-1399

E-mail: [sales@morriscoupling.com](mailto:sales@morriscoupling.com)

internet: [www.morriscoupling.com](http://www.morriscoupling.com)

*All dimensions are nominal.*



2240 W. 15th St., Erie, PA 16505  
Phone: 814-459-1741